

## Eco Preparation 1000 mm Sink with 1 Bowl - Right Drain

ITEM # \_\_\_\_\_

MODEL # \_\_\_\_\_

NAME # \_\_\_\_\_

SIS # \_\_\_\_\_

AIA # \_\_\_\_\_


**132895 (SL10DN)**

 Sink Unit with 1 bowl right  
hand drainer  
400x500x250mm, 1000mm

### Short Form Specification

Item No. \_\_\_\_\_

Worktop in 304 AISI stainless steel with front edge h=50mm. Rear upstand h=100mm. N.1 bowl 400x500mm. Front and side covering panels in stainless steel. Rear panel in stainless steel. Square section legs 40x40mm in stainless steel with adjustable feet.

### Main Features

- Sturdiness, stability and reliability of table accurately tested.

### Construction

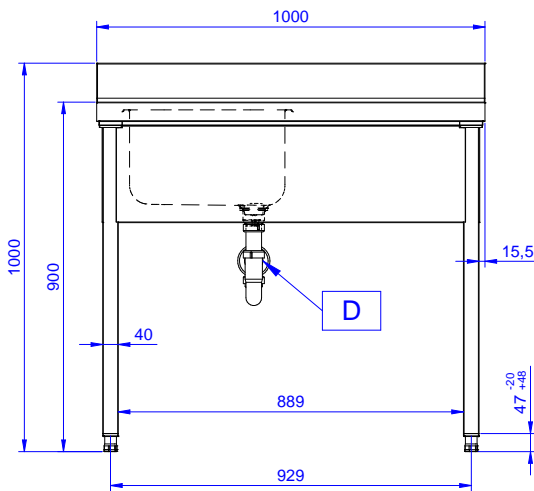
- Constructed entirely in stainless steel to offer maximum durability.
- Delivered in knock-down package.
- Wide range of taps are available to suit every need.
- Drainage area suitable for drying operations

### Optional Accessories

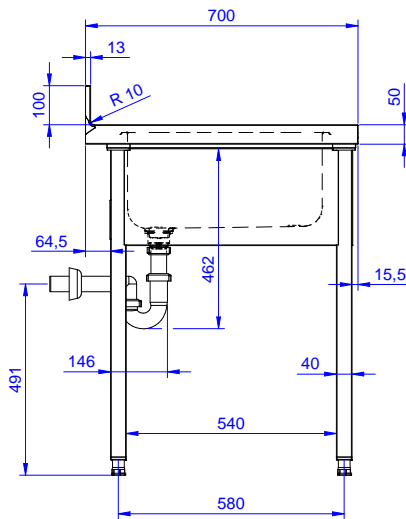
- Lower shelf for 1000 mm tables PNC 855144  and sinks and for 1600 mm undercounter dishwasher sinks
- Set of 4 wheels (2 with brake) PNC 855150  d. 100mm for tables and sinks (total height on wheels= 993 mm)
- 3-sided underframe for PNC 855151  1000mm tables
- Single plastic drain syphon 1,5 PNC 855306  " for work tables with bowl
- Elbow operated mixer tap with PNC 855322  spout 3/4", single hole
- Elbow operated mixer tap with PNC 855323  short spout 3/4", single hole
- Foot operated mixer tap (hot PNC 855328  and cold) with spout 3/4"

APPROVAL: \_\_\_\_\_

Front

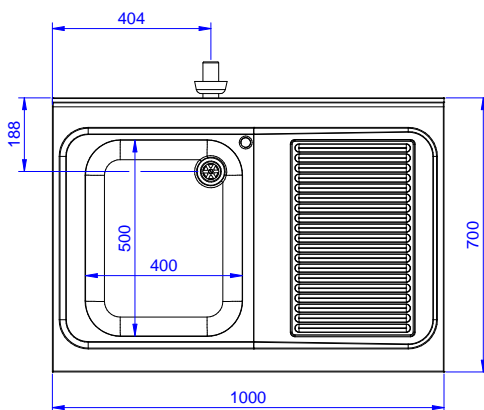


Side



D = Drain

Top


**Key Information:**

<b>External dimensions, Width:</b>	
132895 (SL10DN)	1000 mm
<b>External dimensions, Depth:</b>	700 mm
<b>External dimensions, Height:</b>	900 mm
<b>Upstand Dimensions, Height:</b>	100 mm
<b>Upstand Dimensions, Depth:</b>	13 mm
<b>Upstand Dimensions, Radius:</b>	R=10
<b>Bowls number</b>	1
<b>Bowl dimensions</b>	400X500XH250
<b>Net weight:</b>	40 kg